

**ELKA EntryTower**

**Customized configuration**



# Configuration EntryTower 1200

Quantity EntryTower 1200 (selection required) \_\_\_\_\_ pcs.

## Custom color EntryTower 1200, optional



### Custom color for EntryTower 1200 (optional):

- Cover in RAL \_\_\_\_\_
- Plug-in door in RAL \_\_\_\_\_
- Complete housing (cover, housing, plug-in door) in RAL \_\_\_\_\_



### Standard colors:

Press-finished without color as standard.

## Door lock EntryTower 1200

### Select a door lock:

- Standard lock
- Swiveling lever lock, optional



Standard lock

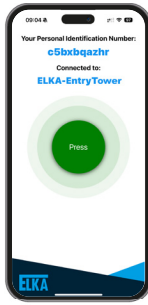


Swiveling lever lock

# Access control for EntryTower 1200

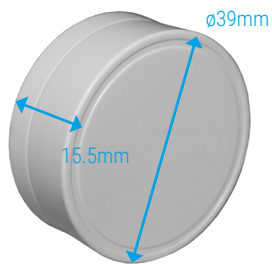
## Basic access controls (select one option):

MobileEntry App

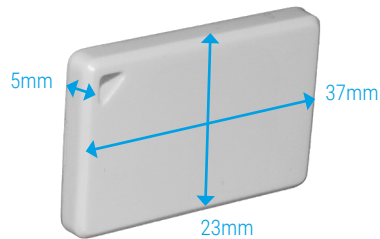


or  Bluetooth

## If bluetooth is selected, please choose the token option:



Bluetooth token round  
Ideal for leaving in the vehicle  
\_\_\_\_\_ pcs.

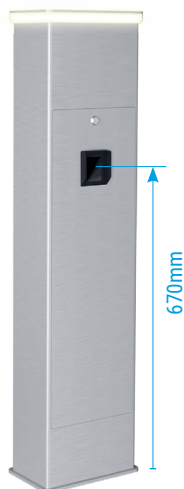


Bluetooth token square  
Perfect for the keychain  
\_\_\_\_\_ pcs.

## Additional access control systems (optional, multiple selections possible):

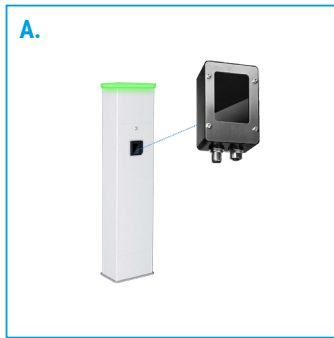
QR code reader

EntryCam license plate recognition

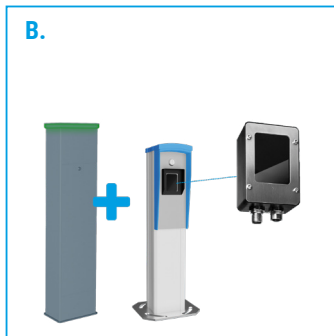


# Access control for EntryTower 1200

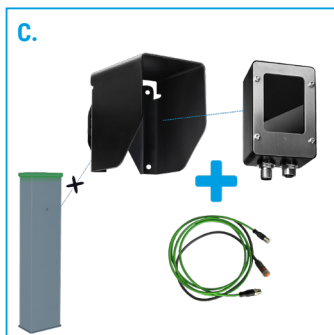
If EntryCam is selected, please choose the installation option:



A. Installed in the EntryTower  
EntryCam installed in the EntryTower, including holder, LAN connection cable (1m), power cable (2m) and device software license for the interface connection to the EntryTower controller, for use in the EJOIN IoT portal.



B. Installed in the CamTower Mini  
EntryCam installed in the CamTower Mini, including holder, LAN connection cable (1m), power cable (2m) and device software license for the interface connection to the EntryTower controller, for use in the EJOIN IoT portal.



C. For on-site installation  
EntryCam including holder, LAN connection cable (1m), power cable (2m) and device software license for the interface connection to the EntryTower controller, for use in the EJOIN IoT portal.

You can find the assembly instructions as follows:

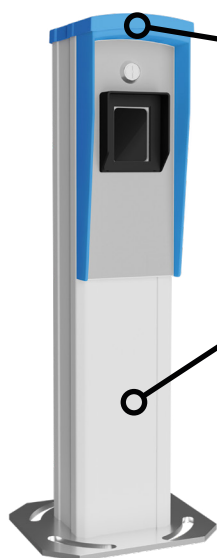
1. Log in at: [www.elka.eu/account](http://www.elka.eu/account)
2. In the downloads section under:  
product information/category „housings“

[Entry Tower 1200 / 1800 Hardware description](#)

Document Name	Format	Size	Action
Aluminium-pillar v2.0	PDF	1.52 MB	Download
Entry Tower 1200 / 1800 Hardware Description	PDF	3.05 MB	Download
Aluminium-Housing v2.0	PDF	3.1 MB	Download
CamTower Mini + Accessories	PDF	1.83 MB	Download
Aluminium housing MS 1200 - MS 2400	PDF	2.59 MB	Download

## Configuration CamTower Mini, optional

Quantity CamTower Mini (selection required) \_\_\_\_\_ pcs.



### Custom color CamTower Mini (optional):

Cover

in RAL \_\_\_\_\_

Complete housing  
(cover and housing)

in RAL \_\_\_\_\_

### Standard colors:

RAL 5012/9010.

## Accessories CamTower Mini, optional

Relay for use with MO 24 \_\_\_\_\_ pcs.

NO/NC-Contact, with socket, required for using the EntryCam in combination with the controller MO 24.

## Usage licenses EJOIN IoT portal

### Number of access authorizations (licence agreement\*):

5 (included)

additional licenses

25

50

100

250

500

\* Please log in to [www.elka.eu](http://www.elka.eu). You can find the license terms under Downloads/Price Lists.

## Configuration EntryTower 1800

Quantity EntryTower 1800 (selection required) \_\_\_\_\_ pcs.

### EntryScreen, optional



- with EntryScreen
- without screen

A minimum height of 1,600 mm is required for the installation of the screen.

### Plug-in door EntryTower 1800, optional



**Select door:**

**Additional plug-in door at the top**  
(Note: This is only possible if no screen has been selected.)

**Plug-in door at the bottom (standard)**

## Custom color EntryTower 1800, optional



### Custom color for EntryTower 1800 (optional):

- Cover in RAL \_\_\_\_\_
- Optional plug-in door, top in RAL \_\_\_\_\_
- Plug-in door, bottom in RAL \_\_\_\_\_
- Complete housing (cover, housing, plug-in door/s) in RAL \_\_\_\_\_



### Standard colors:

Press-finished without color as standard.

## Door lock EntryTower 1800

### Select a door lock for the top plug-in door, optional:

(Note: This is only possible if no screen has been selected.)

- Standard lock
- Swiveling lever lock, optional

### Select a door lock for the bottom plug-in door:

- Standard lock
- Swiveling lever lock, optional



Standard lock

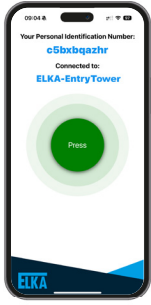


Swiveling lever lock

# Access control for EntryTower 1800

## Basic access controls (select one option):

MobileEntry App

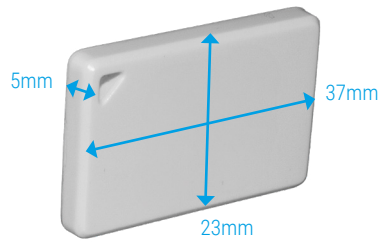


or  Bluetooth

## If bluetooth is selected, please choose the token option:



Bluetooth token round  
Ideal for leaving in the vehicle  
\_\_\_\_\_ pcs.



Bluetooth token square  
Perfect for the keychain  
\_\_\_\_\_ pcs.

## Additional access control systems (optional, multiple selections possible):

QR code reader

EntryCam license plate recognition

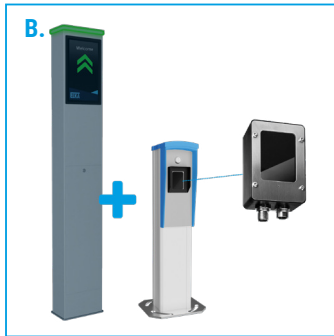


# Access control for EntryTower 1800

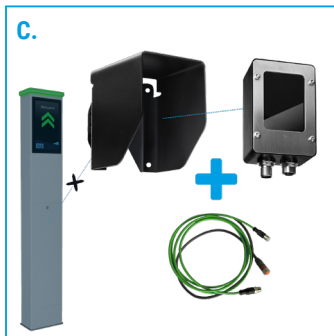
If EntryCam is selected, please choose the installation option:



A. Installed in the EntryTower  
EntryCam installed in the EntryTower, including holder, LAN connection cable (1m), power cable (2m) and device software license for the interface connection to the EntryTower controller, for use in the EJOIN IoT portal.



B. Installed in the CamTower Mini  
EntryCam installed in the CamTower Mini, including holder, LAN connection cable (1m), power cable (2m) and device software license for the interface connection to the EntryTower controller, for use in the EJOIN IoT portal.

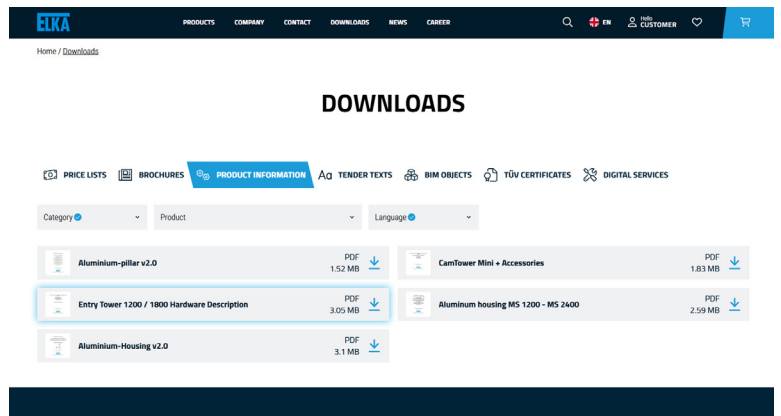


C. For on-site installation  
EntryCam including holder, LAN connection cable (1m), power cable (2m) and device software license for the interface connection to the EntryTower controller, for use in the EJOIN IoT portal.

You can find the assembly instructions as follows:

1. Log in at: [www.elka.eu/account](http://www.elka.eu/account)
2. In the downloads section under:  
product information/category „housings“

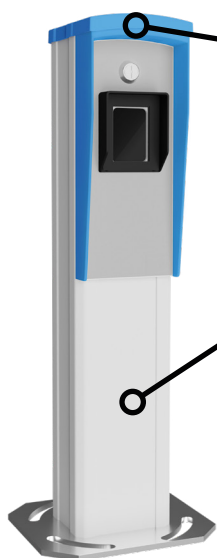
[Entry Tower 1200 / 1800 Hardware description](#)



Category	Product	Language
Aluminium-pillar v2.0	PDF 1.52 MB	↓
CamTower Mini + Accessories	PDF 1.83 MB	↓
Entry Tower 1200 / 1800 Hardware Description	PDF 3.05 MB	↓
Aluminum housing MS 1200 - MS 2400	PDF 2.59 MB	↓
Aluminium-Housing v2.0	PDF 3.1 MB	↓

## Configuration CamTower Mini, optional

Quantity CamTower Mini (selection required) \_\_\_\_\_ pcs.



### Custom color CamTower Mini (optional):

Cover

in RAL \_\_\_\_\_

Complete housing  
(cover and housing)

in RAL \_\_\_\_\_

### Standard colors:

RAL 5012/9010.

## Accessories CamTower Mini, optional

Relay for use with MO 24 \_\_\_\_\_ pcs.

NO/NC-Contact, with socket, required for using the EntryCam in combination with the controller MO 24.

## Usage licenses EJOIN IoT portal

### Number of access authorizations (licence agreement\*):

5 (included)

additional licenses

25

50

100

250

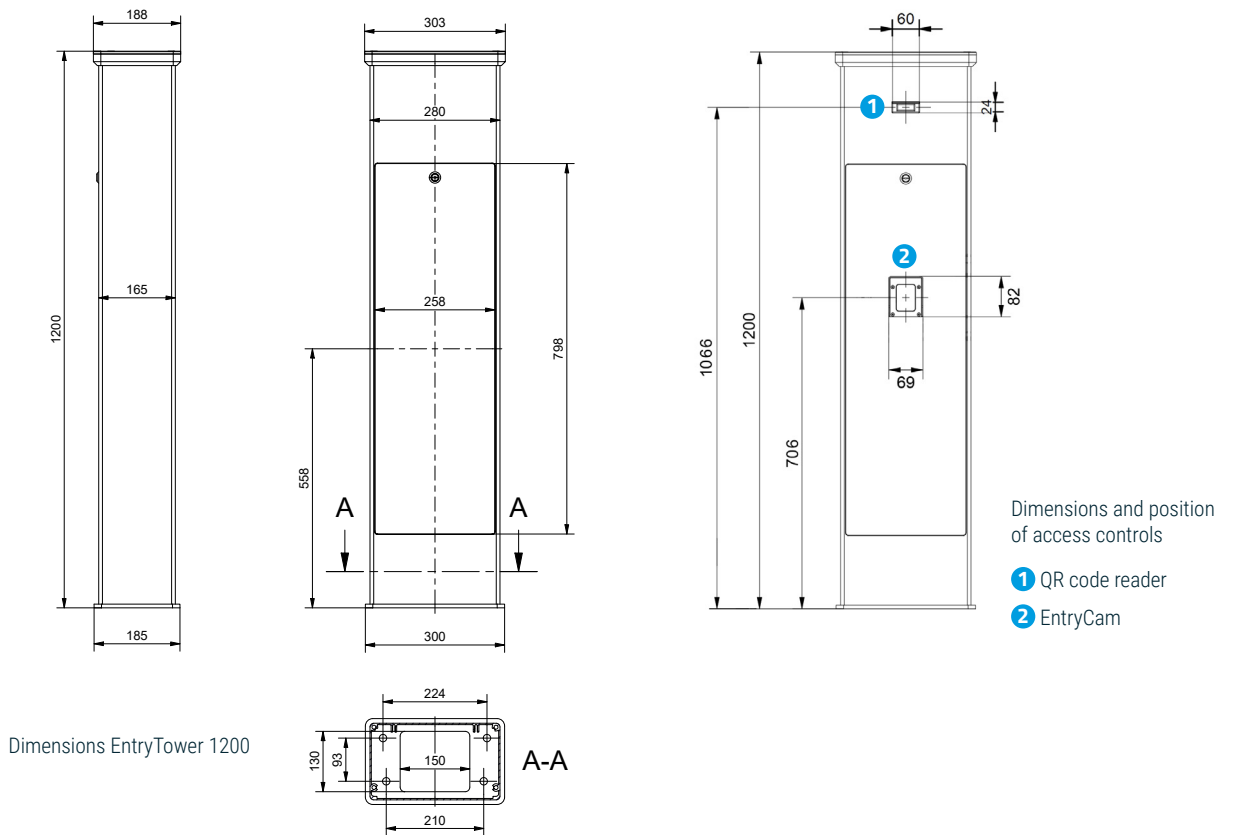
500

\* Please log in to [www.elka.eu](http://www.elka.eu). You can find the license terms under Downloads/Price Lists.

# Technical data

Technical data	EntryTower 1200
Max. dimensions (W x D x H)	303 x 185 x 1,200mm
Foundation, frost-free, min. W x D x H	400 x 300 x 800mm
Weight (basic version)	21kg
Plug-in door	1
Front panel	no
Protection class	IP54
Material	housing: aluminium, standard blank
Colors	optionally available in all RAL custom colors
Accessories (optional)	LED lighting in the cover

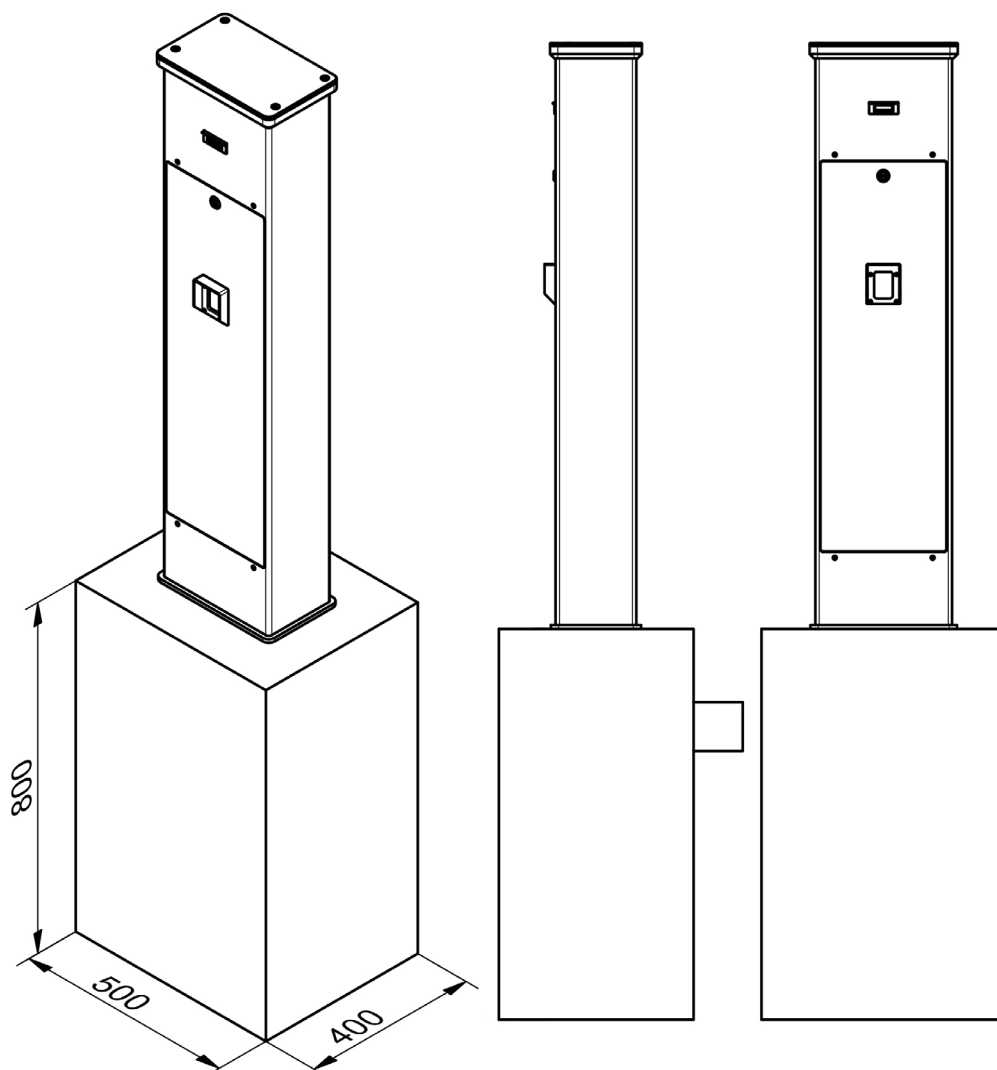
\* To operate the EntryTower at ambient temperatures below -0°C, an additional heater with a thermostat must be installed inside the EntryTower.



## Foundation dimensions EntryTower 1200

**Note:**

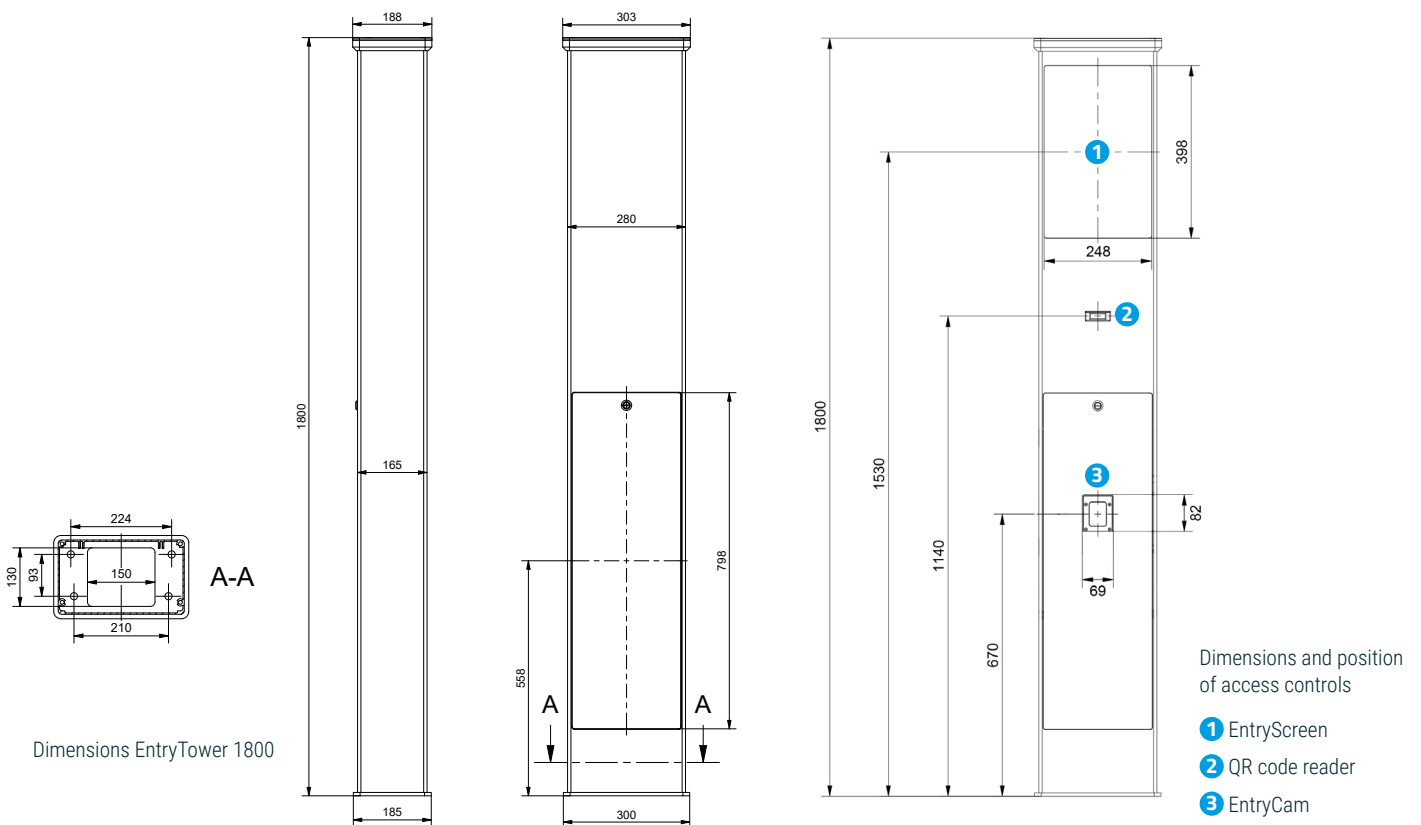
The diagram shows the minimum foundation dimensions for the EntryTower 1200, which must be adjusted according to the application and local conditions. Please refer to the installation instructions.



# Technical data

Technical data	EntryTower 1800
Max. dimensions (W x D x H)	303 x 185 x 1,800mm
Foundation, frost-free, min. W x D x H	500 x 400 x 800mm
Weight (basic version)	26kg
Plug-in door	1 (+1 additional, optional)
Front panel	optional, if no second plug-in door was selected
Protection class	IP54
Material	housing: aluminium, standard blank
Colors	optionally available in all RAL custom colors
Accessories (optional)	LED lighting in the cover

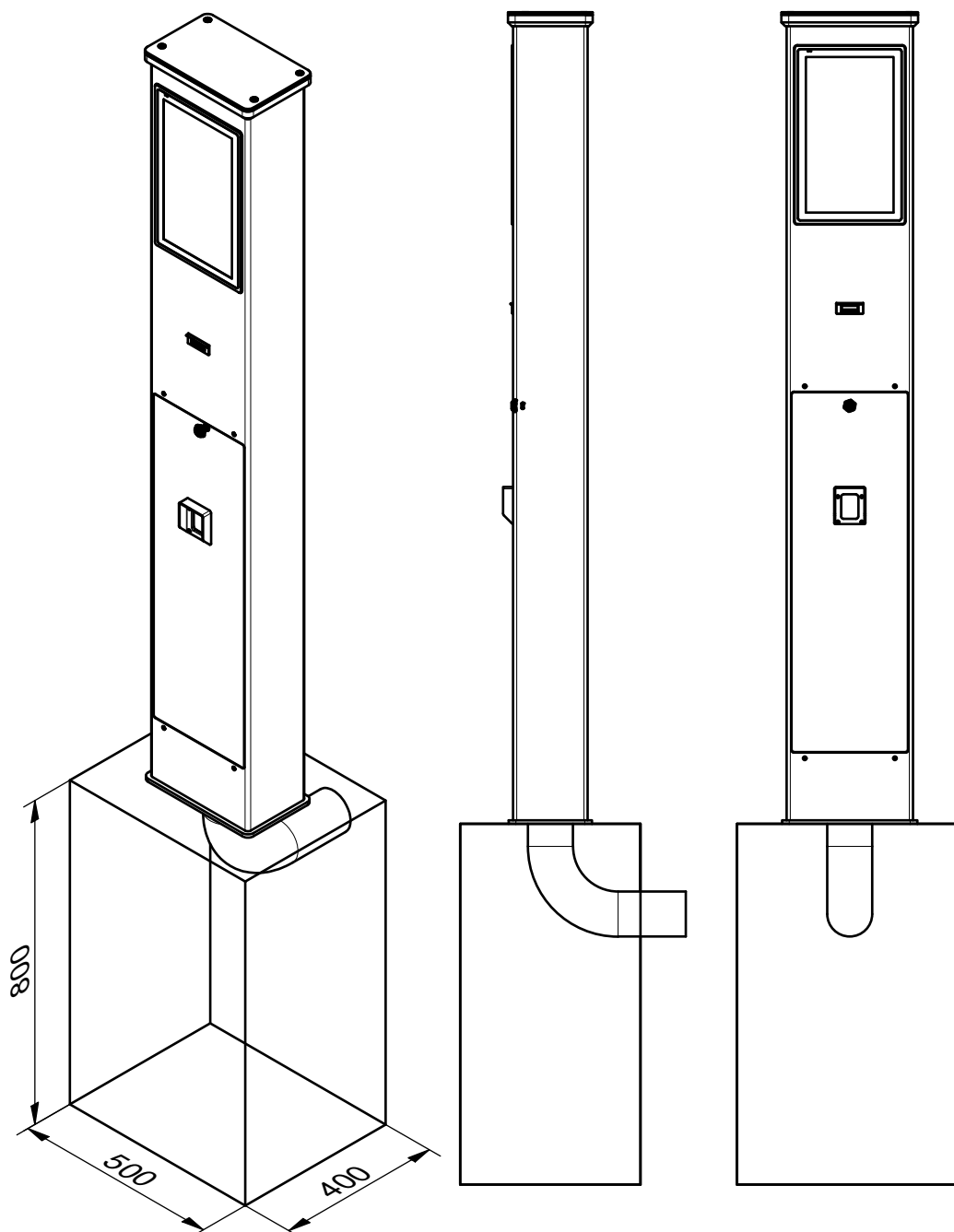
\* To operate the EntryTower at ambient temperatures below -0°C, an additional heater with a thermostat must be installed inside the EntryTower.



## Foundation dimensions EntryTower 1800

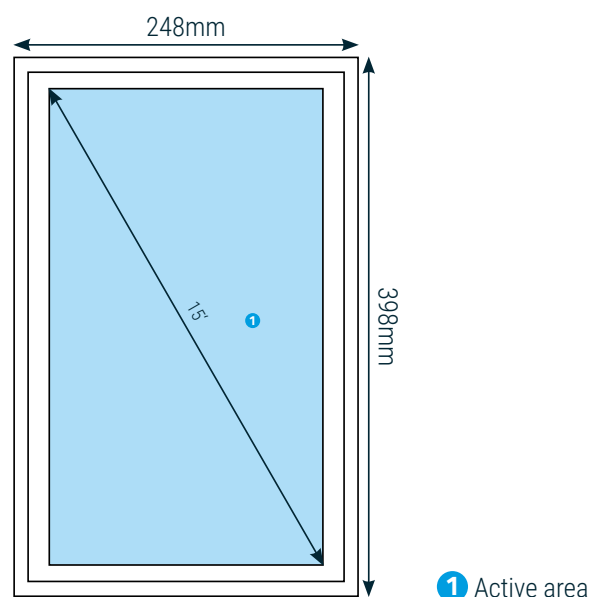
**Note:**

The diagram shows the minimum foundation dimensions for the EntryTower 1800, which must be adjusted according to the application and local conditions. Please refer to the installation instructions.



## EntryScreen

Technical data	
External dimension	398 x 248 x 44mm
Active area dimensions	344 x 194mm
Supported resolution	1920 x 1080 pixels (Full HD), 640 x 480 (min)
Ports	HDMI, DisplayPort, USB-C, VGA
Power supply voltage	DC 10-36V
Power consumption	19.8W (operation), 0.4W (standby)
Operating temperature	-20°C to +70°C
Protection class	IP65



1 Active area

## CamTower Mini

Technical data	
Dimensions (W x D x H)	200 x 180 x 560mm
Alignment angle of the base plate	45°
Material	Powder-coated aluminium, plastic
Weight	approx. 2kg

## Technical data accessories

### EntryCam

Technical data	
Dimensions (L x W x H)	46 x 62 x 91mm
Weight	approx. 450g
Ethernet	100MBit/s
Inlet	24V DC +/- 20%, max. 1200mA
Power consumption	on average < 6W
Operating temperature	-20°C to +50°C
Operating humidity	max. 80%, non-condensing
Protection class	IP67

### Bluetooth Token

Technical data	
Dimensions (round)	ø 39 x 15.5mm
Dimensions (square)	37 x 23 x 5mm
Weight	21g
Operating temperature	-20°C to +60°C
Battery life	up to 3 years
Protection class	IP67

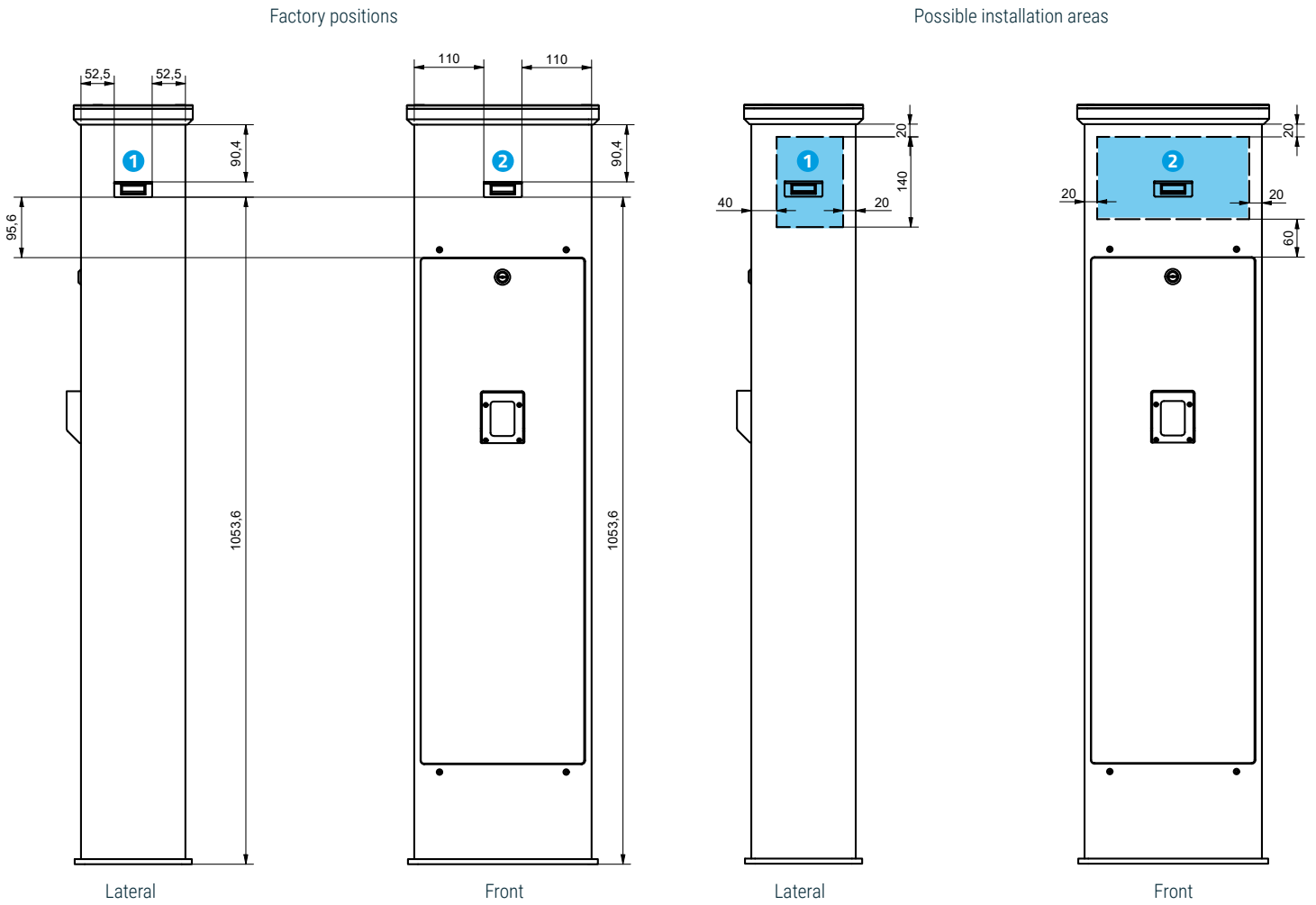
### QR code reader (2D barcode scanner)

Technical data	
Dimensions	28 x 48 x 55mm
Power supply voltage	5V +/- 5%
Power consumption	Operation (typical): < 225mA standby/idle (typical): Automatic object detection mode: 115mA
Operating temperature	-20°C to +50°C
Standard ports	Micro USB
Protection class	IP54

# Installation positions for QR code reader, EntryTower 1200

## Note:

The illustrations show the factory default position and the area where the QR code reader can be placed in the EntryTower 1200.



Factory positions QR code reader

- 1 Lateral installation position
- 2 Front installation position

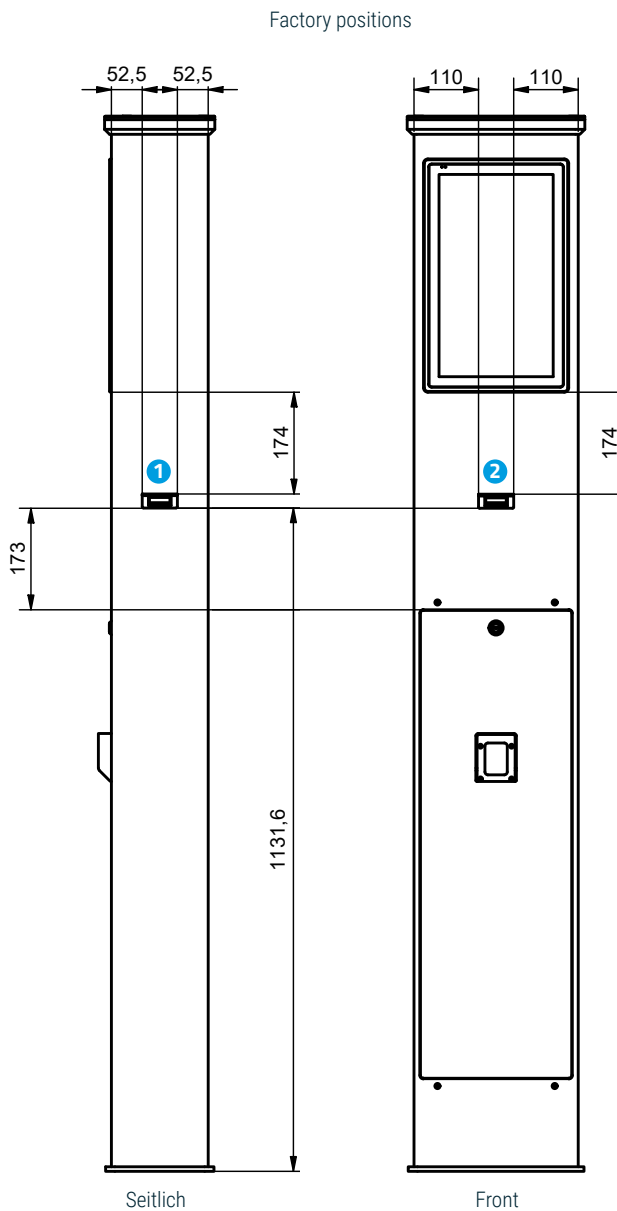
Possible installation areas for QR code reader

- 1 Lateral installation area
- 2 Front installation area

# Installation positions for QR code reader, EntryTower 1200

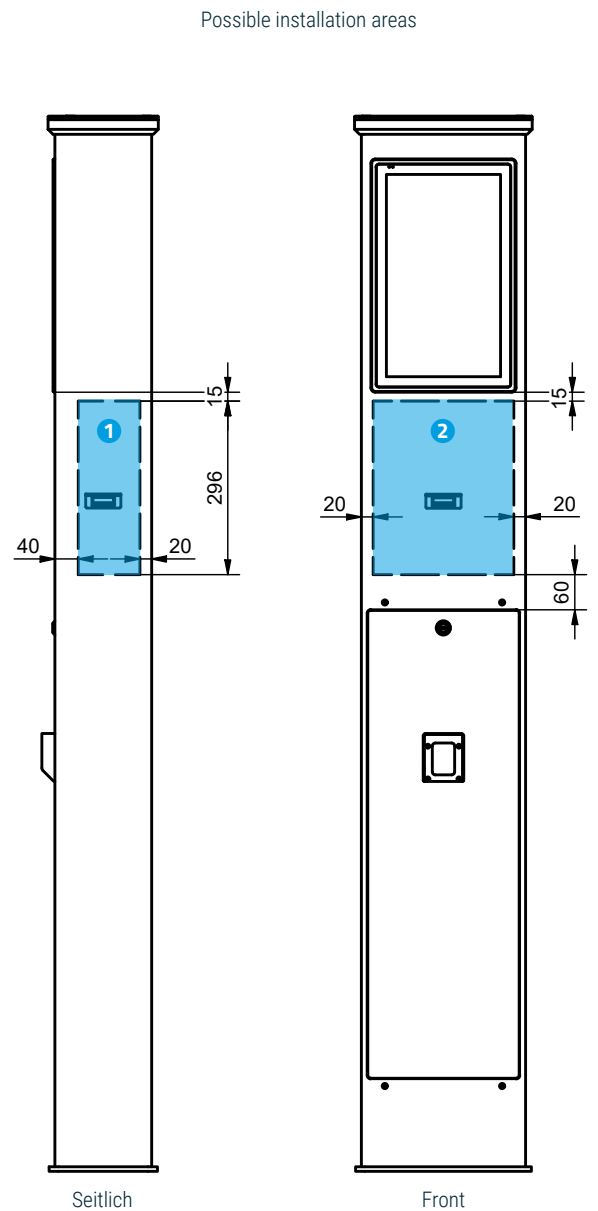
## Note:

The illustrations show the factory default position and the area where the QR code reader can be placed in the EntryTower 1800.



Factory positions QR code reader

- ① Lateral installation position
- ② Front installation position



Possible installation areas for QR code reader

- ① Lateral installation area
- ② Front installation area

## Your contact information

**Customer number:**

---

**Company:**

---

---

**Address:**

Street: \_\_\_\_\_

Postcode/City: \_\_\_\_\_

Country: \_\_\_\_\_

**Contact person:**

Name: \_\_\_\_\_

Phone: \_\_\_\_\_

E-Mail: \_\_\_\_\_

# Installation diagram

**Please include the following information in the installation diagram:**

- Number of devices and their height
- Road width and the expected traffic management  
(If vehicles are approaching the facility in a straight line, vehicles can turn into that lane, vehicles can cross the lane area, etc.)



**ELKA-Torantriebe GmbH u. Co. Betriebs KG**

**Dithmarscher Str. 9, 25832 Tönning / Germany**

✉ [info@elka.eu](mailto:info@elka.eu)

☎ +49(0)4861-9690-0

🌐 [www.elka.eu](http://www.elka.eu)

🖨 +49(0)4861-9690-90